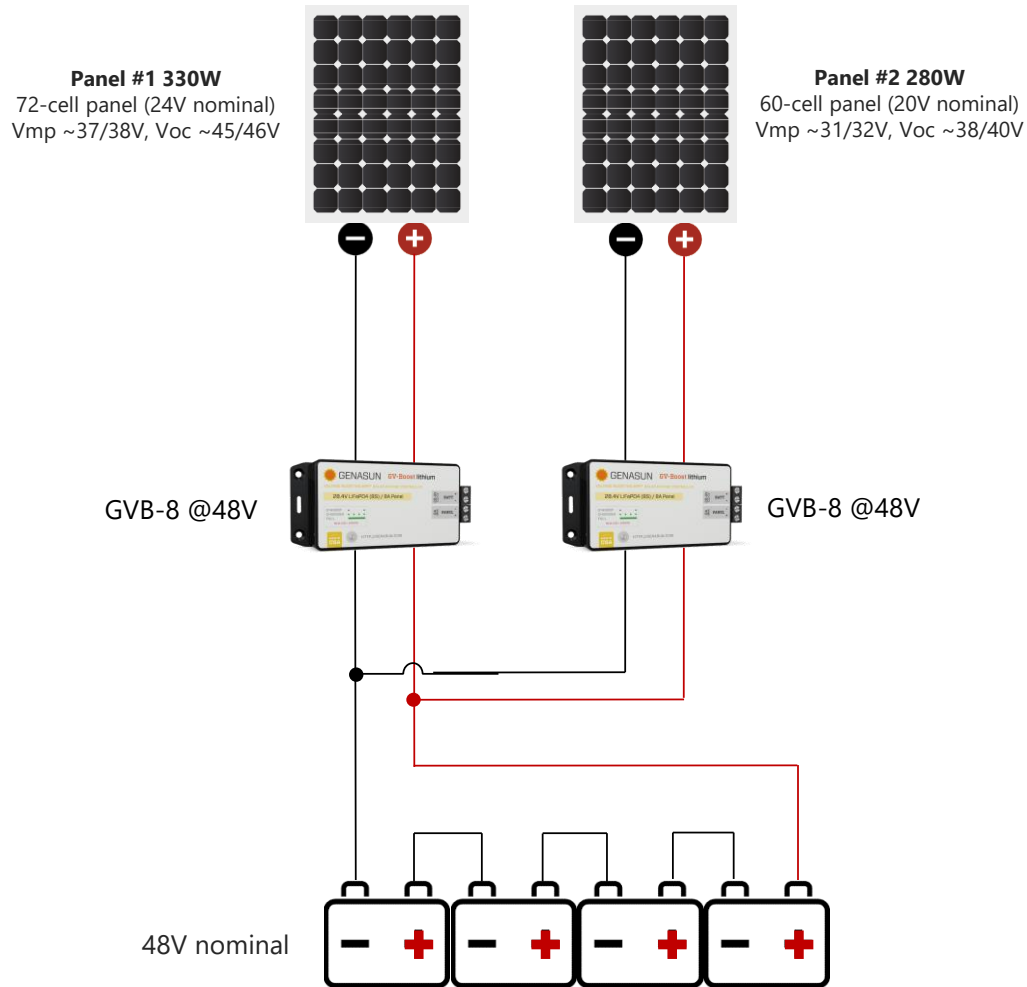


# Multiple Genasun GVB-8 (Boost) Controllers

System Voltage 48V | Charge controllers in parallel (battery side)



PV Panel



Battery (Pb or Li)

Sunforge LLC	Oct. 2020 Rev.3
Single Line Diagram – GVB-8 @48V	<a href="https://sunforge.com/genasun/">https://sunforge.com/genasun/</a>